



SOUNDWELL®


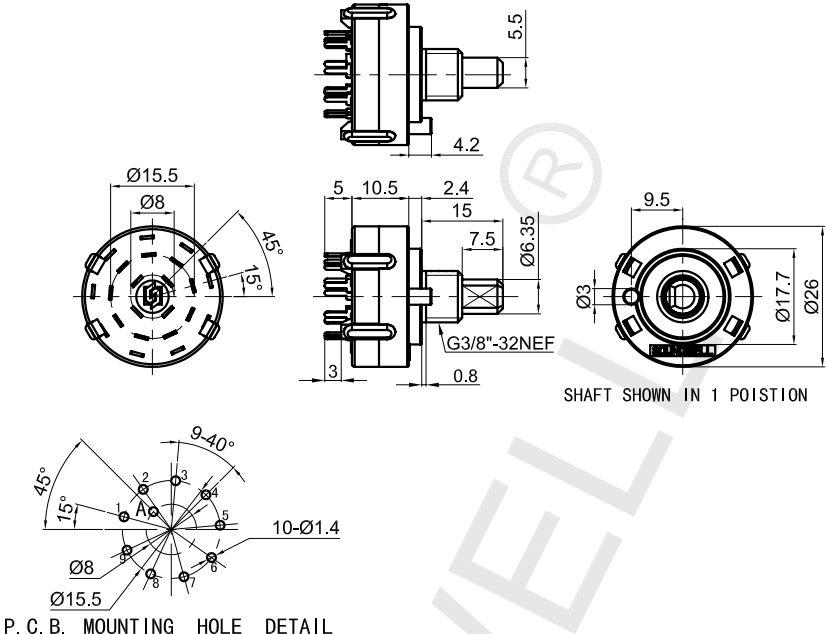
<http://soundwell-cn.com>RS260109 Series  
SWITCH

企业微信，扫码有惊喜



升威官网，发现更多产品

MODEL 品名	DIMENSIONS 尺寸	UNIT:mm
----------	---------------	---------

<p>RS260109A0X-HA1</p> 	 <p style="text-align: center;">P. C. B. MOUNTING HOLE DETAIL</p>
---	--

## RS260109 SERIES COMMON SPECIFICATION

MECHANICAL CHARACTERISTIC 机械特性		
Step Angle	每段角度	40°±3° (360° /90C)
Rotational Torque	旋转力矩	200~700gf.cm
Terminal Strength	端子强度	more than 500gf
ELECTRICAL CHARACTERISTIC 电气特性		
Rating Power	额定功率	0.3A, DC 30V
Contact Resistance	接触阻抗	50mΩ Max
Insulation Resistance	绝缘电阻	100MΩ 1 Minute at DC 500V
Dielectric Voltage	耐电压	1 Minute at DC 500V
ENDURANCE CHARACTERISTIC 耐久特性		
Rotational Life	旋转寿命	10,000 cycles

## SWITCH CONTACT STATUS

